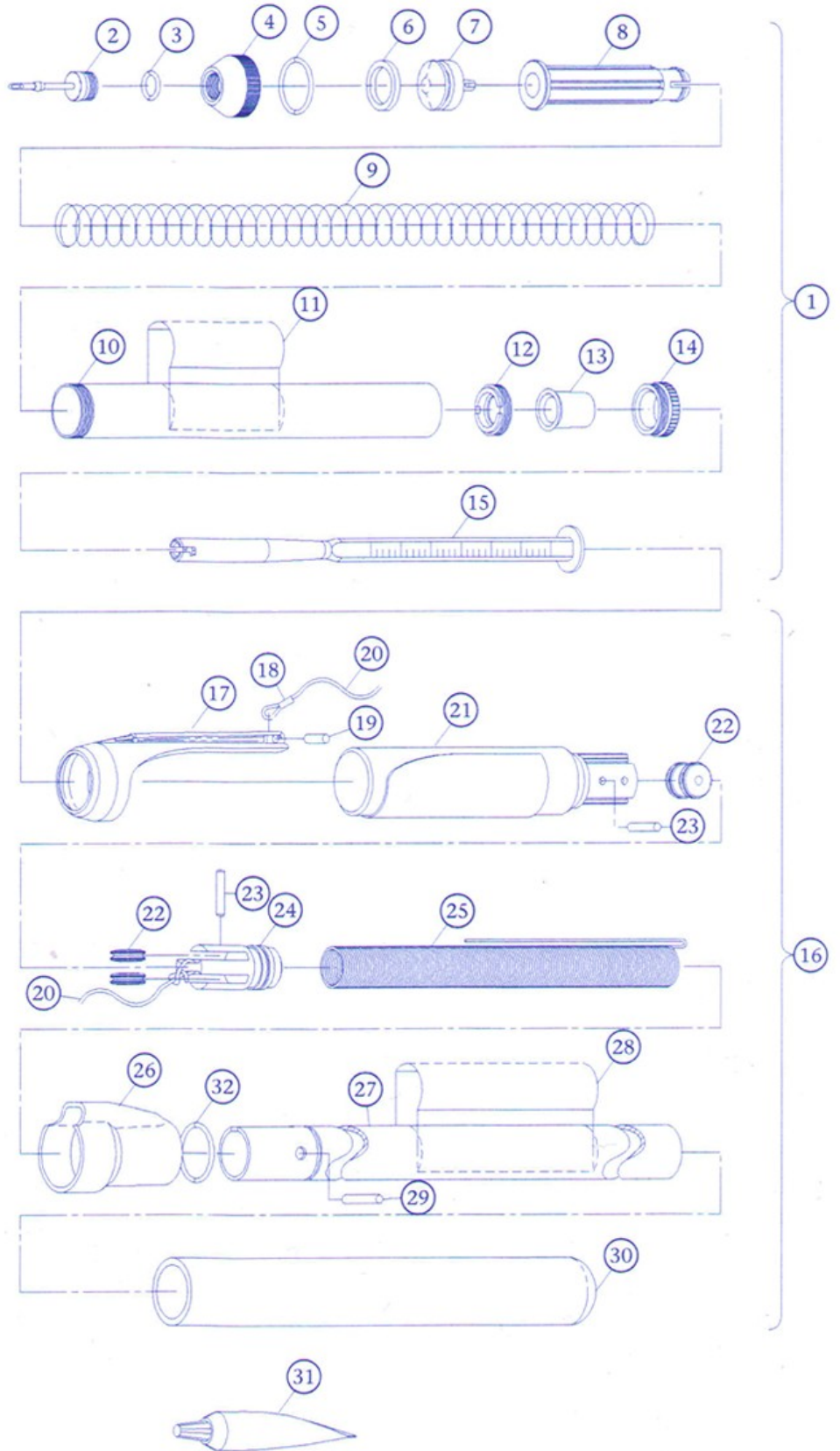


Item	Part #	Description
-	<b>SD</b>	Stock Doctor, Complete
1	<b>SP001</b>	Syringe Assembly, Complete
2	<b>SP002</b>	Needle Assembly W/O-Ring 1.25"
-	<b>SP02A</b>	Needle Assembly W/O-Ring 0.75"
3	<b>SP003</b>	O-Ring for Needle
4	<b>SP004</b>	Syringe Cap
5	<b>SP005</b>	O-Ring for Syringe Cap
6	<b>SP006</b>	Quad O-Ring For Piston
7	<b>SP007</b>	Piston With Quad Ring
8	<b>SP008</b>	Catch Spring
9	<b>SP009</b>	Spring For Syringe
10	<b>SP010</b>	Syringe Barrel With Lock-Ring
11	<b>SP011</b>	Syringe Label
12	<b>SP012</b>	Lock-Ring
13	<b>SP013</b>	Trigger
14	<b>SP014</b>	Trigger Cap
15	<b>SP015</b>	Metering Rod
16	<b>SP016</b>	Pole & Tether Assembly Complete
17	<b>SP017</b>	Cuff
18	<b>SP018</b>	String Crimp For Cuff & Line
19	<b>SP019</b>	Pin 0.25" Long
20	<b>SP020</b>	Tether Line
21	<b>SP021</b>	Retainer With Pins & Pulleys
22	<b>SP022</b>	Pulley Set of 4
23	<b>SP023</b>	Axle
24	<b>SP024</b>	Plug Spring With Pins & Pulleys
25	<b>SP025</b>	Extension Spring
26	<b>SP026</b>	Collar
27	<b>SP027</b>	Pole
28	<b>SP028</b>	Pole Label
29	<b>SP029</b>	Pin 0.875" Long Retainer/Pole
30	<b>SP030</b>	Grip
31	<b>SP044</b>	Petroleum Syringe Lubricant
32	<b>SP032</b>	O-Ring For Pole
33	<b>SP045</b>	1.25" Needle 3-Hole Closed End
34	<b>SP046</b>	1.125" Needle Open End
35	<b>SP047</b>	1.25" Needle Side Port
36	<b>SP048</b>	0.75" Needle Side Port Closed End
37	<b>SP049</b>	1.25" Needle Side Port Open End
38	<b>SP050</b>	Kit bag
39	<b>SP051</b>	Manual



**FIGURE 3: STOCK DOCTOR™ Parts**